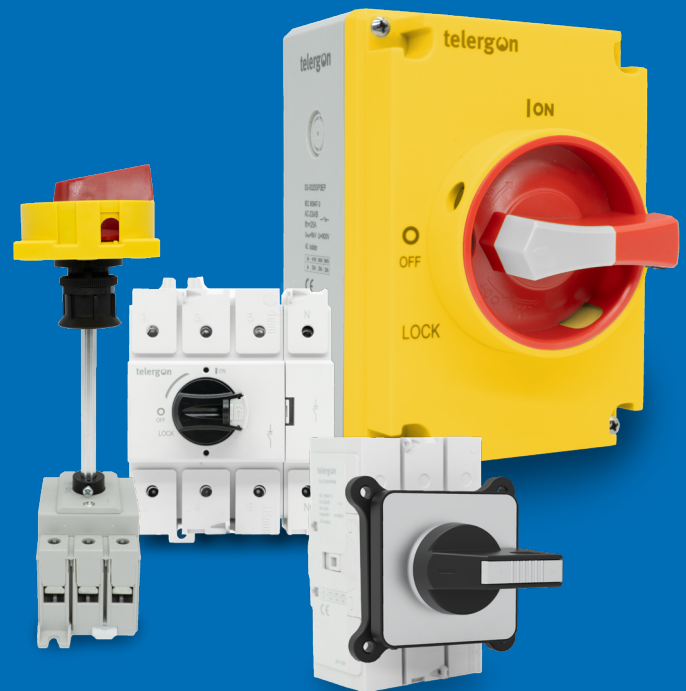
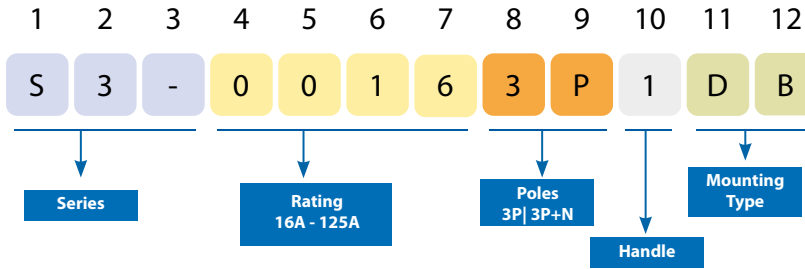


telergon
gorlan



S3 Series
AC Compact Switch-Disconnectors

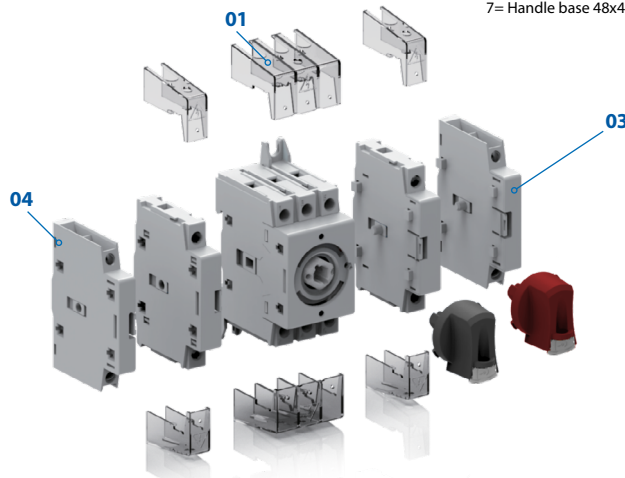
▶ **CODE**



- Handle**
- 1= Direct lockable (black)
 - 3= Panel lockable (black)
 - 4= Emergency panel lockable (red/yellow)
 - 5= Direct lockable (red/yellow)
 - 6= Handle base 48x48 (black)
 - 7= Handle base 48x48 (red/yellow)

DIN-Rail Mounting

D B



Panel Mounting

P M



Door Interlock

D C

Screw anchoring





Plastic enclosure

E P



Aluminium enclosure

E A



▶ TECHNICAL DATA



IEC 60947-3

			Size								
			000			00			0		
ELECTRICAL DATA											
Thermal current (-25...+55°C)	I _{th}	A	16	20	25	32	40	63	80	100	125
Rated insulation voltage	U _i	Vac	800								
Rated impulse withstand voltage	U _{imp}	kV	8								
AC rated operational current	U _e 415V AC23A	A	16	20	25	32	40	63	80	100	125
AC rated operational power	U _e 415V AC23A	kV	7.5	9	11	15	18.5	30	37	45	55
SHORT CIRCUIT BEHAVIOR (fuse protected)											
Fuse type	415V	A	16	20	25	32	40	63	80	100	125
Rated conditional short-circuit current	415V	kA	10			15			20		
SHORT CIRCUIT PERFORMANCE (unprotected)											
Rated short-time withstand current 1S	I _{cw}	kA (rms)	0,5			0,85			2,75		
Rated short circuit making capacity	I _{cm}	kA (peak)	0,85			1,5			3,9		
CONNECTION CAPACITY											
Cable cross section		mm ²	1,5~10			2,5~35			10~70		
MECHANICAL DATA											
Number of operating cycles	Cycles		100.000								

AC Compact Switch-Disconnecter





▶ DIN-RAIL MOUNTING (DB)



					
		3P	3P+N* ¹	3P	3P+N* ¹
Size	Amp	Code	Code	Code	Code
000	16	S3-00163P1DB	S3-00163N1DB	S3-00163P5DB	S3-00163N5DB
	20	S3-00203P1DB	S3-00203N1DB	S3-00203P5DB	S3-00203N5DB
	25	S3-00253P1DB	S3-00253N1DB	S3-00253P5DB	S3-00253N5DB
	32	S3-00323P1DB	S3-00323N1DB	S3-00323P5DB	S3-00323N5DB
00	40	S3-00403P1DB	S3-00403N1DB	S3-00403P5DB	S3-00403N5DB
	63	S3-00633P1DB	S3-00633N1DB	S3-00633P5DB	S3-00633N5DB
	80	S3-00803P1DB	S3-00803N1DB	S3-00803P5DB	S3-00803N5DB
0	100	S3-01003P1DB	S3-01003N1DB	S3-01003P5DB	S3-01003N5DB
	125	S3-01253P1DB	S3-01253N1DB	S3-01253P5DB	S3-01253N5DB

▶ PANEL MOUNTING (PM)

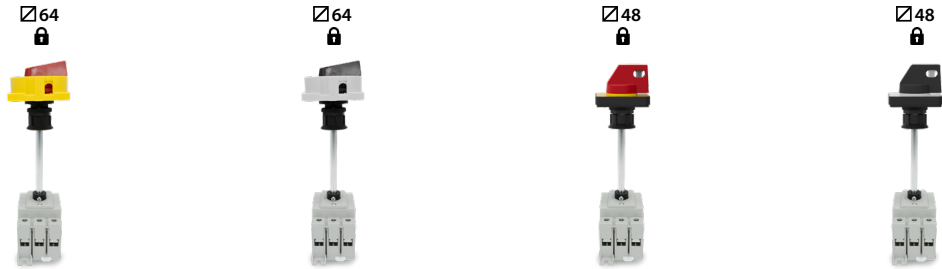





									
		3P	3P+N* ¹	3P	3P+N* ¹	3P	3P+N* ¹	3P	3P+N* ¹
Size	Amp	Code	Code	Code	Code	Code	Code	Code	Code
000	16	S3-00163P4PM	S3-00163N4PM	S3-00163P3PM	S3-00163N3PM	S3-00163P7PM	S3-00163N7PM	S3-00163P6PM	S3-00163N6PM
	20	S3-00203P4PM	S3-00203N4PM	S3-00203P3PM	S3-00203N3PM	S3-00203P7PM	S3-00203N7PM	S3-00203P6PM	S3-00203N6PM
	25	S3-00253P4PM	S3-00253N4PM	S3-00253P3PM	S3-00253N3PM	S3-00253P7PM	S3-00253N7PM	S3-00253P6PM	S3-00253N6PM
	32	S3-00323P4PM	S3-00323N4PM	S3-00323P3PM	S3-00323N3PM	S3-00323P7PM	S3-00323N7PM	S3-00323P6PM	S3-00323N6PM
00	40	S3-00403P4PM	S3-00403N4PM	S3-00403P3PM	S3-00403N3PM	S3-00403P7PM	S3-00403N7PM	S3-00403P6PM	S3-00403N6PM
	63	S3-00633P4PM	S3-00633N4PM	S3-00633P3PM	S3-00633N3PM	S3-00633P7PM	S3-00633N7PM	S3-00633P6PM	S3-00633N6PM
	80	S3-00803P4PM	S3-00803N4PM	S3-00803P3PM	S3-00803N3PM	S3-00803P7PM	S3-00803N7PM	S3-00803P6PM	S3-00803N6PM
0	100	S3-01003P4PM	S3-01003N4PM	S3-01003P3PM	S3-01003N3PM	S3-01003P7PM	S3-01003N7PM	S3-01003P6PM	S3-01003N6PM
	125	S3-01253P4PM	S3-01253N4PM	S3-01253P3PM	S3-01253N3PM	S3-01253P7PM	S3-01253N7PM	S3-01253P6PM	S3-01253N6PM

*¹ Neutral is early-make and late-break

AC Compact Switch-Disconnecter

▶ DOOR INTERLOCK (DC)



									
		3P	3P+N*1	3P	3P+N*1	3P	3P+N*1	3P	3P+N*1
Size	Amp	Code	Code	Code	Code	Code	Code	Code	Code
000	16	S3-00163P4DC	S3-00163N4DC	S3-00163P3DC	S3-00163N3DC	S3-00163P7DC	S3-00163N7DC	S3-00163P6DC	S3-00163N6DC
	20	S3-00203P4DC	S3-00203N4DC	S3-00203P3DC	S3-00203N3DC	S3-00203P7DC	S3-00203N7DC	S3-00203P6DC	S3-00203N6DC
	25	S3-00253P4DC	S3-00253N4DC	S3-00253P3DC	S3-00253N3DC	S3-00253P7DC	S3-00253N7DC	S3-00253P6DC	S3-00253N6DC
	32	S3-00323P4DC	S3-00323N4DC	S3-00323P3DC	S3-00323N3DC	S3-00323P7DC	S3-00323N7DC	S3-00323P6DC	S3-00323N6DC
00	40	S3-00403P4DC	S3-00403N4DC	S3-00403P3DC	S3-00403N3DC	S3-00403P7DC	S3-00403N7DC	S3-00403P6DC	S3-00403N6DC
	63	S3-00633P4DC	S3-00633N4DC	S3-00633P3DC	S3-00633N3DC	S3-00633P7DC	S3-00633N7DC	S3-00633P6DC	S3-00633N6DC
	80	S3-00803P4DC	S3-00803N4DC	S3-00803P3DC	S3-00803N3DC	S3-00803P7DC	S3-00803N7DC	S3-00803P6DC	S3-00803N6DC
0	100	S3-01003P4DC	S3-01003N4DC	S3-01003P3DC	S3-01003N3DC	S3-01003P7DC	S3-01003N7DC	S3-01003P6DC	S3-01003N6DC
	125	S3-01253P4DC	S3-01253N4DC	S3-01253P3DC	S3-01253N3DC	S3-01253P7DC	S3-01253N7DC	S3-01253P6DC	S3-01253N6DC

The code includes a 135mm long shaft.

▶ MULTIPOLE AND CHANGEOVER SWITCHES





		DIN-Rail mounting Multipole switch*2		DIN-Rail mounting Changeover (I-0-II)		DIN-Rail mounting Changeover with overlapping (I-(I+II)-II)	
		6P	8P	3P	3P+N*1	3P	3P+N*1
Size	Amp	Code	Code	Code	Code	Code	Code
000	16	S3M00166P0DB	S3M00168P0DB	S3L00163P1DB	S3L00163N1DB	S3S00163P1DB	S3S00163N1DB
	20	S3M00206P0DB	S3M00208P0DB	S3L00203P1DB	S3L00203N1DB	S3S00203P1DB	S3S00203N1DB
	25	S3M00256P0DB	S3M00258P0DB	S3L00253P1DB	S3L00253N1DB	S3S00253P1DB	S3S00253N1DB
	32	S3M00326P0DB	S3M00328P0DB	S3L00323P1DB	S3L00323N1DB	S3S00323P1DB	S3S00323N1DB
00	40	S3M00406P0DB	S3M00408P0DB	S3L00403P1DB	S3L00403N1DB	S3S00403P1DB	S3S00403N1DB
	63	S3M00636P0DB	S3M00638P0DB	S3L00633P1DB	S3L00633N1DB	S3S00633P1DB	S3S00633N1DB
	80	S3M00806P0DB	S3M00808P0DB	S3L00803P1DB	S3L00803N1DB	S3S00803P1DB	S3S00803N1DB

*2 handle without lock

Enclosed solutions



▶ PLASTIC ENCLOSURE (EP)



									
		3P	3P+N*1	6P	8P	3P	3P+N*1	6P	8P
Size	Amp	Code	Code	Code	Code	Code	Code	Code	Code
000	16	S3-00163P4EP	S3-00163N4EP	S3M00166P4EP	S3M00168P4EP	S3-00163P3EP	S3-00163N3EP	S3M00166P3EP	S3M00168P3EP
	20	S3-00203P4EP	S3-00203N4EP	S3M00206P4EP	S3M00208P4EP	S3-00203P3EP	S3-00203N3EP	S3M00206P3EP	S3M00208P3EP
	25	S3-00253P4EP	S3-00253N4EP	S3M00256P4EP	S3M00258P4EP	S3-00253P3EP	S3-00253N3EP	S3M00256P3EP	S3M00258P3EP
	32	S3-00323P4EP	S3-00323N4EP	S3M00326P4EP	S3M00328P4EP	S3-00323P3EP	S3-00323N3EP	S3M00326P3EP	S3M00328P3EP
00	40	S3-00403P4EP	S3-00403N4EP	S3M00406P4EP	S3M00408P4EP	S3-00403P3EP	S3-00403N3EP	S3M00406P3EP	S3M00408P3EP
	63	S3-00633P4EP	S3-00633N4EP	S3M00636P4EP	S3M00638P4EP	S3-00633P3EP	S3-00633N3EP	S3M00636P3EP	S3M00638P3EP
	80	S3-00803P4EP	S3-00803N4EP	S3M00806P4EP	S3M00808P4EP	S3-00803P3EP	S3-00803N3EP	S3M00806P3EP	S3M00808P3EP
0	100	S3-01003P4EP	S3-01003N4EP	-	-	S3-01003P3EP	S3-01003N3EP	-	-
	125	S3-01253P4EP	S3-01253N4EP	-	-	S3-01253P3EP	S3-01253N3EP	-	-

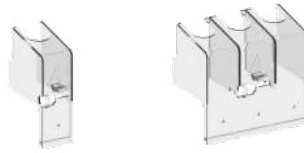
▶ ALUMINIUM ENCLOSURE (EA)



					
		3P	3P+N*1	3P	3P+N*1
Size	Amp	Code	Code	Code	Code
000	16	S3-00163P4EA	S3-00163N4EA	S3-00163P3EA	S3-00163N3EA
	20	S3-00203P4EA	S3-00203N4EA	S3-00203P3EA	S3-00203N3EA
	25	S3-00253P4EA	S3-00253N4EA	S3-00253P3EA	S3-00253N3EA
	32	S3-00323P4EA	S3-00323N4EA	S3-00323P3EA	S3-00323N3EA
00	40	S3-00403P4EA	S3-00403N4EA	S3-00403P3EA	S3-00403N3EA
	63	S3-00633P4EA	S3-00633N4EA	S3-00633P3EA	S3-00633N3EA
	80	S3-00803P4EA	S3-00803N4EA	S3-00803P3EA	S3-00803N3EA

*1 Neutral is early-make and late-break

01 Terminal shrouds



Size	Amp.	1P (1 unit)		3P (1 unit)	
		Code	Code	Code	Code
000	16A-40A	DS3CUA2	DS3CUA1	DS3CUA1	DS3CUA1
00	63A-80A	DS3CUB2	DS3CUB1	DS3CUB1	DS3CUB1
0	100A-125A	DS3CU02	DS3CU01	DS3CU01	DS3CU01

02 Shaft extension

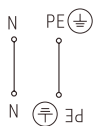


Lenght (mm)	Code
150	DS3EPA1
200	DS3EPA2
320	DS3EPA3

03 Side Mount Add-on Pole



Size	Amp	Width (mm)	Simultaneous		Early-make	
			Front installation	Reverse installation	Front installation	Reverse installation
			DB/DC/EP/EA	PM	DB/DC/EP/EA	PM
000	16A-40A	11	Code	Code	Code	Code
00	63A-80A	16	Code	Code	Code	Code
0	100A-125A	21.3	Code	Code	Code	Code



Size	Amp	Width (mm)	Fixed neutral		Earth /Ground	
			Front installation	Reverse installation	Front installation	Reverse installation
			DB/DC/EP/EA	PM	DB/DC/EP/EA	PM
000	16A-40A	11	Code	Code	Code	Code
00	63A-80A	16	Code	Code	Code	Code
0	100A-125A	21.3	Code	Code	Code	Code

04 Add-on Auxiliary Contacts

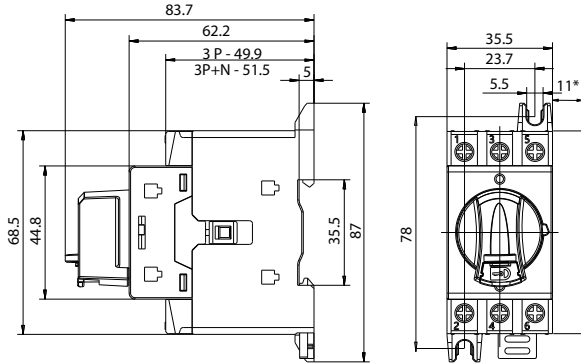


Width (mm)	1NO+1NC		2NO	
	DB/DC/EP/EA	PM	DB/DC/EP/EA	PM
	Code	Code	Code	Code
9	DS3AUP1	DS3AUP1R	DS3AUP2	DS3AUP2R

AC electrical characteristics AC-13: 10A, 230V~ AC-15: 6A, 230V~.

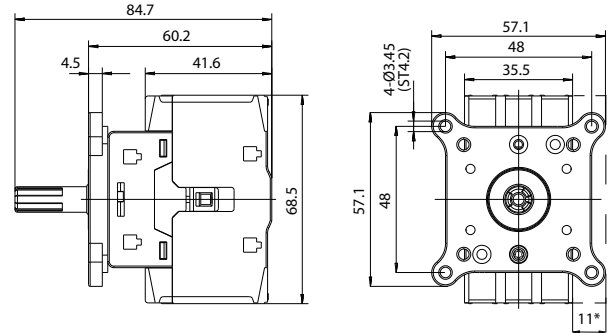
Dimensions

► DIN-RAIL MOUNTING (DB)

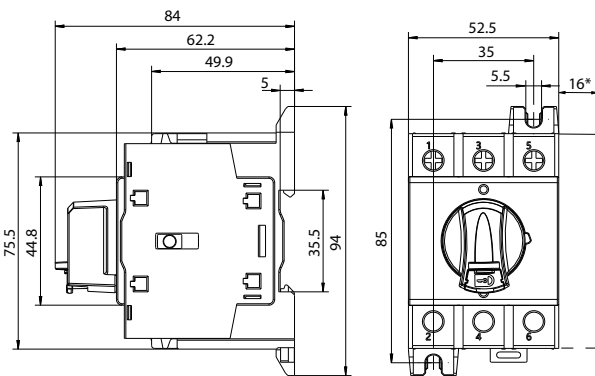


S3/000 3P - *3P+N

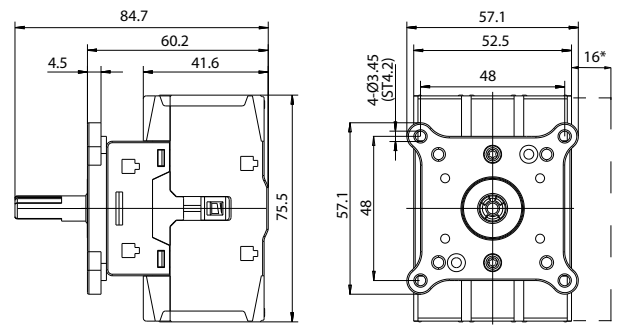
► PANEL MOUNTING (PM)



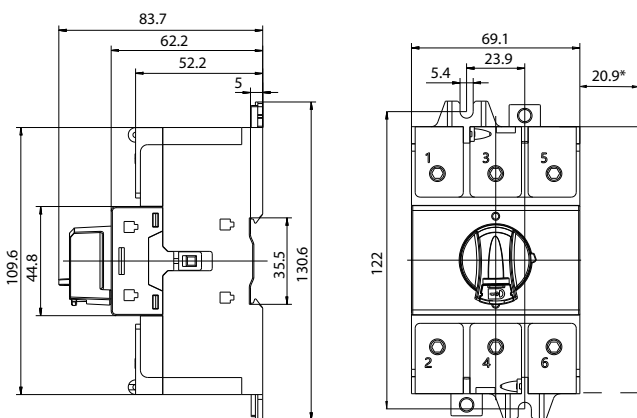
S3/000 3P - *3P+N



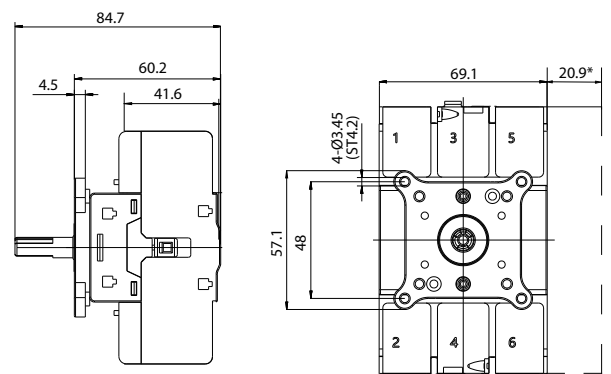
S3/00 3P - *3P+N



S3/00 3P - *3P+N

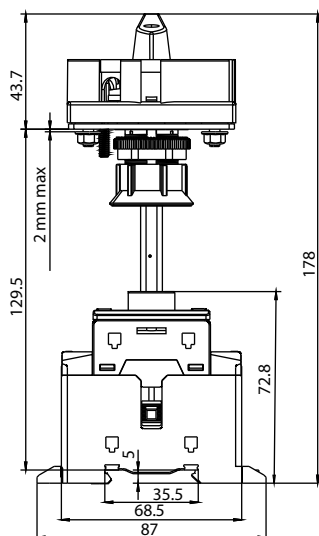
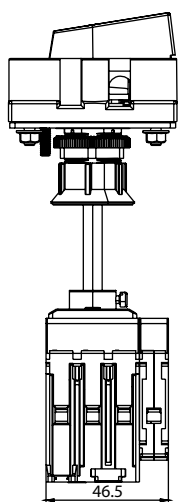


S3/0 3P - *3P+N

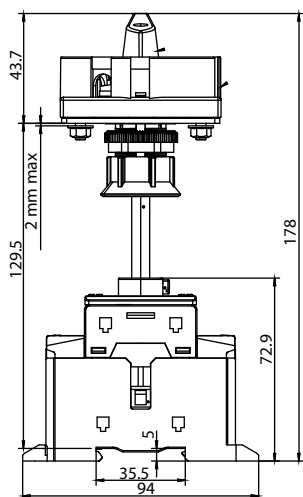
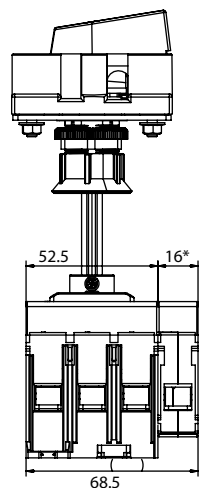
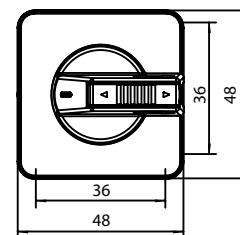
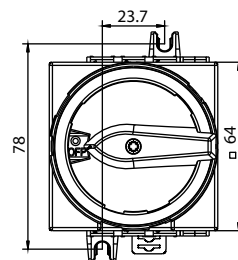


S3/0 3P - *3P+N

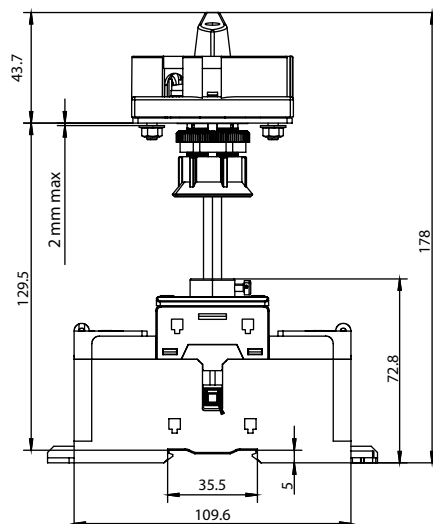
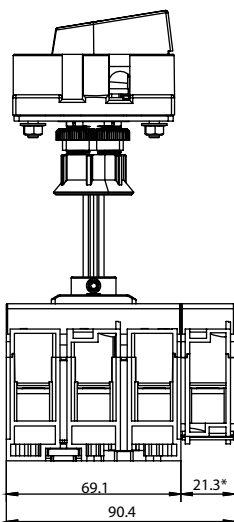
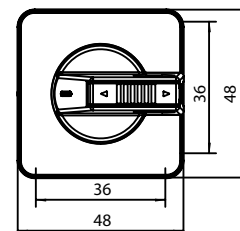
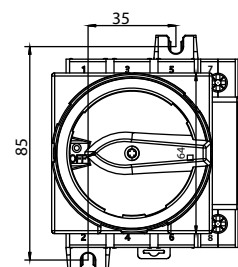
▶ DOOR INTERLOCK (DC)



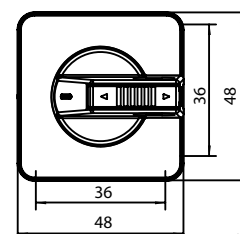
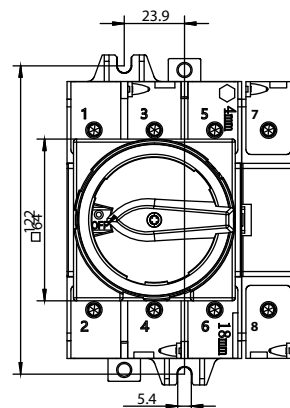
S3/000 3P - *3P+N



S3/00 3P - *3P+N

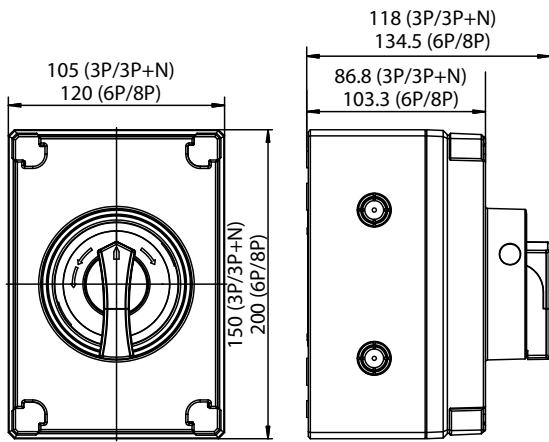


S3/0 3P - *3P+N

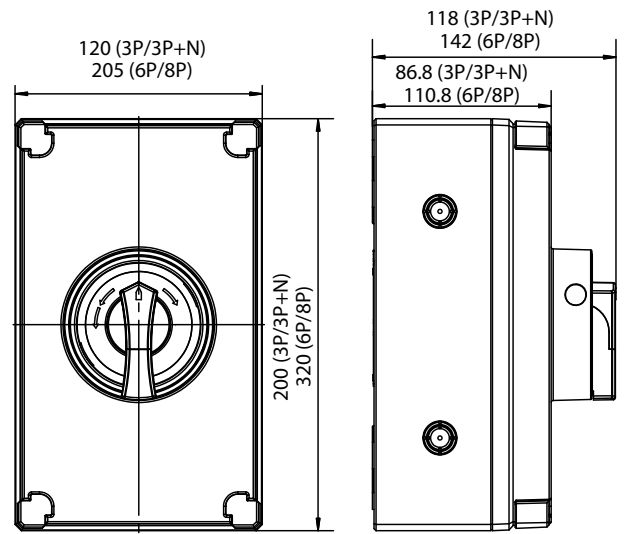


Dimensions

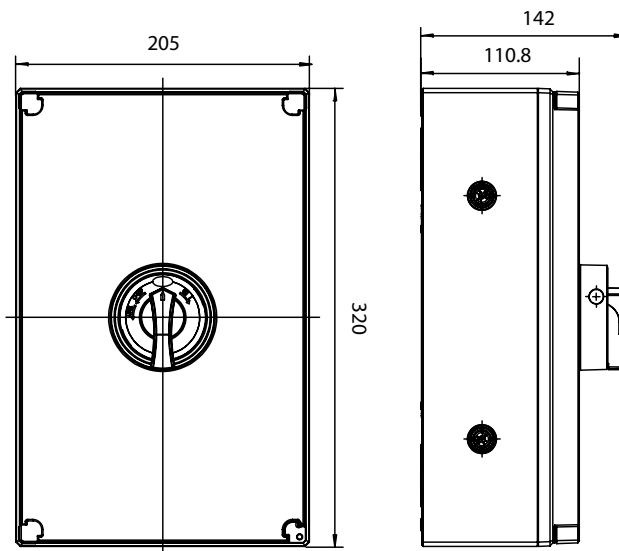
ENCLOSED SOLUTIONS



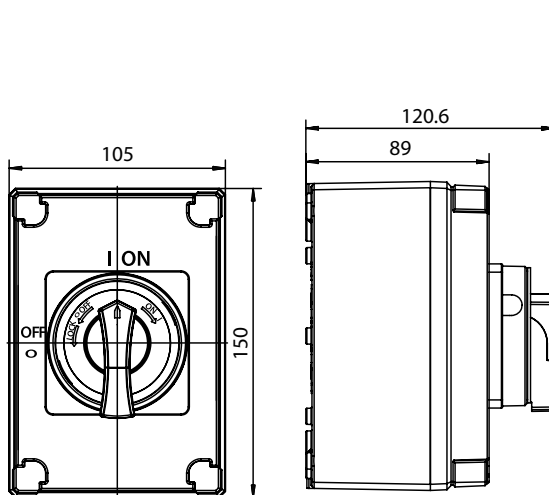
PLASTIC S3/000



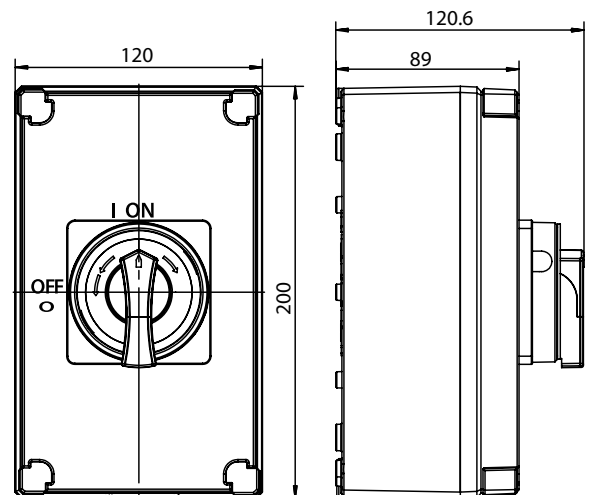
PLASTIC S3/00



PLASTIC S3/0



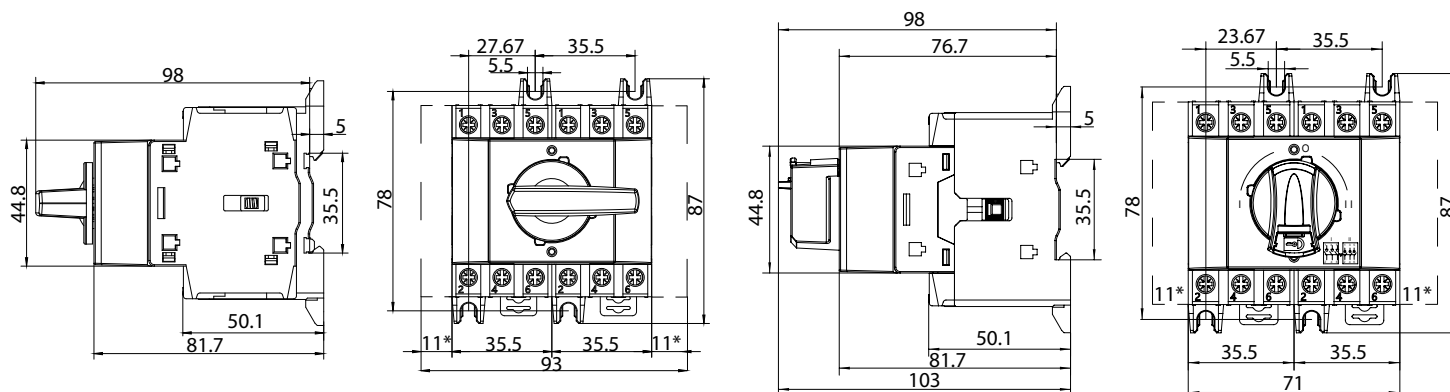
ALUMINIUM S3/000



ALUMINIUM S3/00

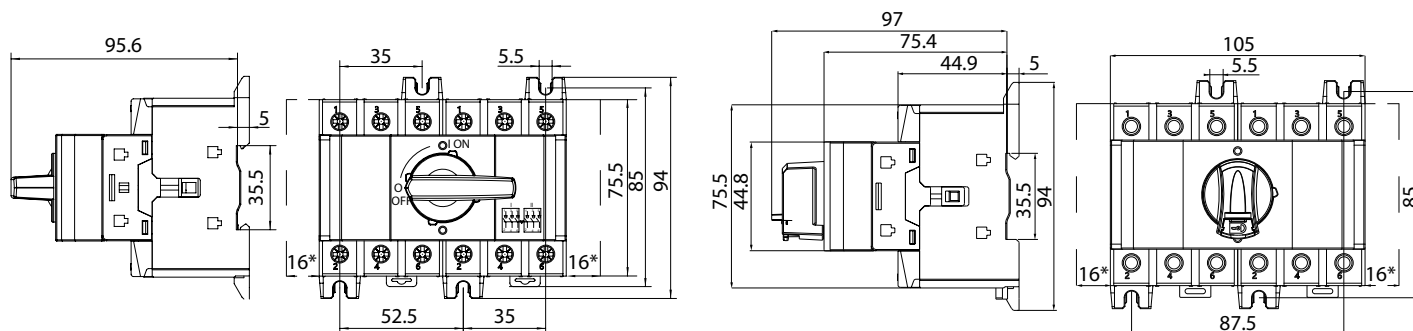
Dimensions

▶ MULTIPOLE AND CHANGEOVER SWITCH



S3M 000 6P-*8P

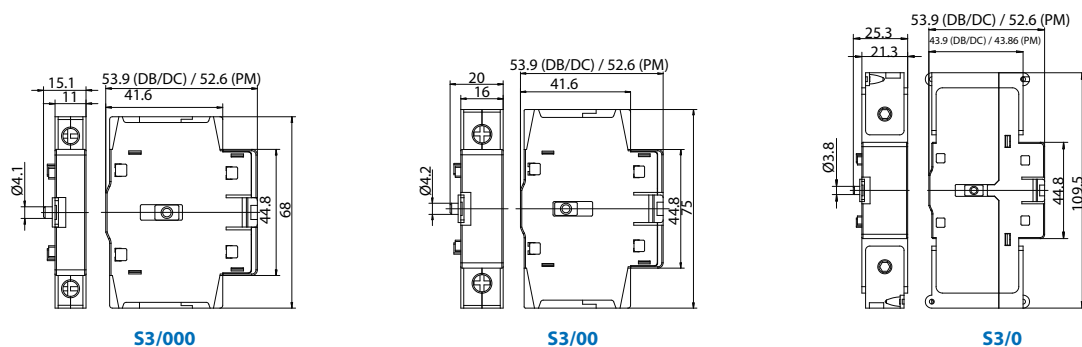
S3S / S3L 000 3P-*3P+N



S3M 00 6P-*8P

S3S / S3L 00 3P-*3P+N

▶ AUXILIARY CONTACT

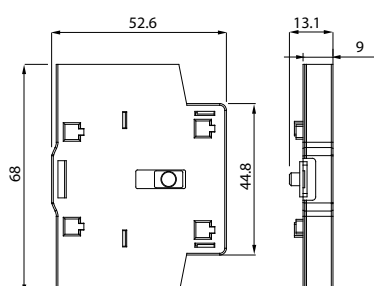


S3/000

S3/00

S3/0

▶ ADD ON POLE DB / DC & PM MOUNTING



Telergon, SAU
Ctra. Castellón - Pol. La Cartuja
50720 La Cartuja Baja
Zaragoza, Spain



Tel. +34 976 500 876
info@telergon.com
www.telergon.com

TDM-S3-ENG-02/2025