

## TECHNICAL DATASHEET

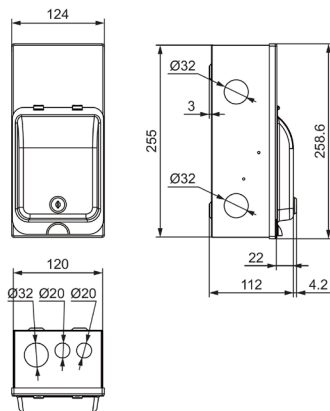
### SCL Metal Clad Modular Enclosures



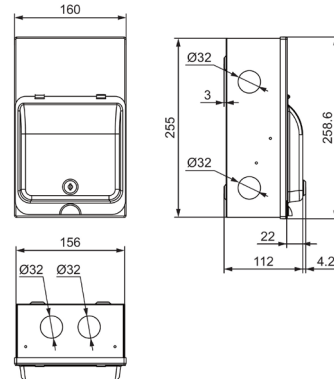
- Metal clad modular enclosure
- Metal hinged lid
- Lockable 4 Module version
- Earth & Neutral terminals included
- Supplied with DIN rail
- 4, 6, 8 & 10 Module versions
- IP30 / IP40
- Multiple size knockouts
- CE & UKCA Approved

Part Number	Dimensions (H x W x D)	Description
DMC4MA	259 x 124 x 112mm	4 Module IP30 Metal Enclosure with Hinged Lid
DMC4MA-L	259 x 124 x 112mm	4 Module IP30 Metal Enclosure with Lockable Hinged Lid
DMC6M	259 x 160 x 112mm	6 Module IP40 Metal Enclosure with Hinged Lid
DMC8M	255 x 200 x 100mm	8 Module IP40 Metal Enclosure with Hinged Lid
DMC10M	259 x 232 x 112mm	10 Module IP40 Metal Enclosure with Hinged Lid

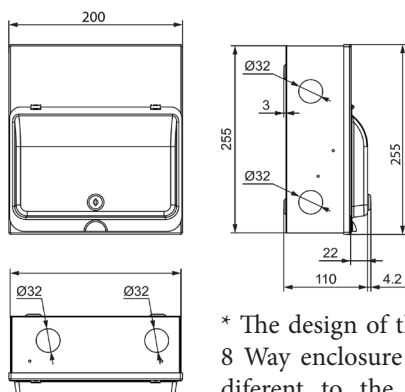
#### 4 Way Dimensions



#### 6 Way Dimensions



#### 8 Way Dimensions



\* The design of the 8 Way enclosure is different to the 4, 6 & 10 way units

#### 10 Way Dimensions

