

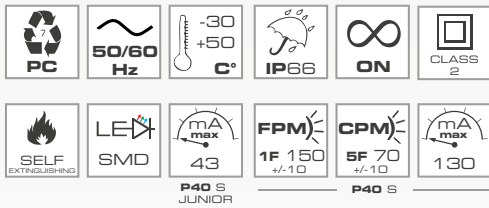
P40 S



P40 S
P40 JUNIOR



> BRIGHT LED <
> MULTIFUNCTIONAL <
> HIGH IP GRADE <



P40 S | PART NO

	Blue	Orange	Red	Green	Yellow	White
GY	12/24V ACDC					
	91131	91132	91133	91134	91135	91136
BK	48/240V AC					
	91151	91152	91153	91154	91155	91156
BK	12/24V ACDC					
	91141	91142	91143	91144	91145	91146
BK	48/240V AC					
	91161	91162	91163	91164	91165	91166

P40 JUNIOR | PART NO

	Blue	Orange	Red	Green	Yellow	White
GY	12/24V ACDC					
	91221	91222	91223	91224	91225	91226
BK	90/240V AC					
	91241	91242	91243	91244	91245	91246
BK	12/24V ACDC					
	91231	91232	91233	91234	91235	91236
BK	90/240V AC					
	91251	91252	91253	91254	91255	91256

P40 S

Multifunctional LED beacon engineered for panel mounting.

Developed with a multichannel technology, the device allows three different light effects (steady, flashing, strobe) controllable via independent electric contacts.

KEY CHARACTERISTICS

LIGHT EFFECTS

P40 S: STEADY, FLASHING, STROBE
P40 JUNIOR: STEADY

VOLTAGES

P40 S: 12/24V ACDC, 48/240V AC +/-10%
P40 JUNIOR: 12/24V ACDC, 90/240V AC +/-10%

PROTECTION GRADE

IP66

OPERATING TEMPERATURE

-30/+50 °C

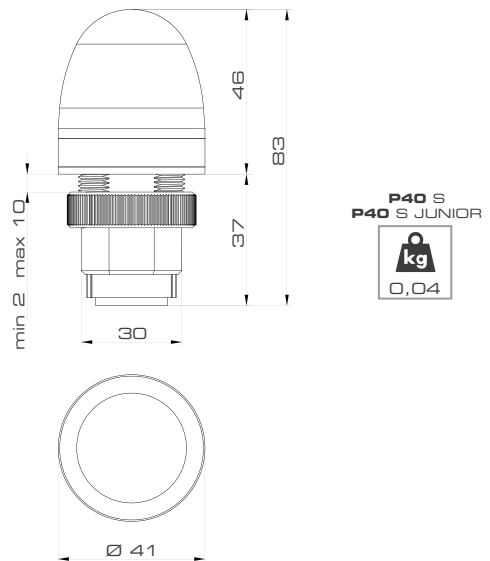
MECHANICAL FEATURES

Self-extinguishing PC body totally protected against vibrations, dust and atmospheric elements. Weather protection guaranteed by EPDM o-ring on dome and polyurethane gasket on base. Can be panel mounted through a 30mm hole and secured with the locking ring provided

OPTICAL FEATURES

4 bright LEDs. Polycarbonate dome with 360 degrees light-diffusion design in conjunction with a light-concentrating lens on the top of the device to maximize frontal performance

DRAWINGS, DIMENSIONS AND WEIGHTS



CERTIFICATIONS

