



MICROLAMP



> VERSIONS WITH ACOUSTICS <
> 3 LUMINOUS SOURCES <



MICROLAMP STEADY



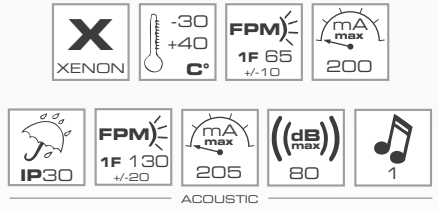
MICROLAMP STEADY/FLASHING



MICROLAMP LED



MICROLAMP X



ALSO AVAILABLE



MICROLAMP ACOUSTIC (Acoustic version)

MICROLAMP new

Luminous device engineered for industrial applications on machinery.

Available with different luminous sources:

- Incandescent lamp with Ba 15d socket (STEADY and STEADY/FLASHING versions)
- latest SMD LED technology (LED version)
- flashing light with Xenon discharge tube (X version).

The device is also available with integrated acoustic signaling (ACOUSTIC versions).

KEY CHARACTERISTICS

LIGHT EFFECTS

MICROLAMP STEADY: STEADY LIGHT

MICROLAMP STEADY/FLASHING and LED: STEADY/FLASHING LIGHT

MICROLAMP X: XENON FLASHING LIGHT

NUMBER OF TONES (for ACOUSTIC versions)

MICROLAMP STEADY/FLASHING and LED | 2 (Continuous and Intermittent Sound)

MICROLAMP X | 1 (Intermittent Sound)

VOLTAGES

MICROLAMP STEADY: 12/240V ACDC +/-10%

MICROLAMP STEADY/FLASHING: 12/48V DC, 24/240V AC +/-10%

MICROLAMP STEADY/FLASHING ACOUSTIC: 12V ACDC, 24V ACDC, 48V ACDC, 110V AC, 240V AC +/-10%

MICROLAMP LED and ACOUSTIC: 12/24V ACDC, 48V ACDC, 90/240V AC +/-10%

MICROLAMP X and ACOUSTIC: 12/24V ACDC, 110V AC, 240V AC +/-10%

PROTECTION GRADE

IP54 | ACOUSTIC: IP30

OPERATING TEMPERATURE

-30/+50 °C | X: -30/+40 °C

MECHANICAL FEATURES

PC/ABS base, polycarbonate dome. Screw mounting (screws not included)

OPTICAL FEATURES

5W Incandescent lamp with Ba 15d socket

SMD LED technology: flashing effect (triple-flash 3F)

Xenon discharge tube : 1J single flash (1F)

ACOUSTIC FEATURES

MICROLAMP STEADY/FLASHING: continuous sound (with steady light) or intermittent sound F/m 130 (with flashing light). Frequency: 2700Hz

MICROLAMP LED: continuous sound (with steady light) or intermittent sound F/m 180 (with flashing light). Frequency: 3200Hz

MICROLAMP X: intermittent sound F/m 65. Frequency: 3000+/-500Hz

ACOUSTIC versions with integrated piezoelectrical unit

CERTIFICATIONS



ACCESSORIES

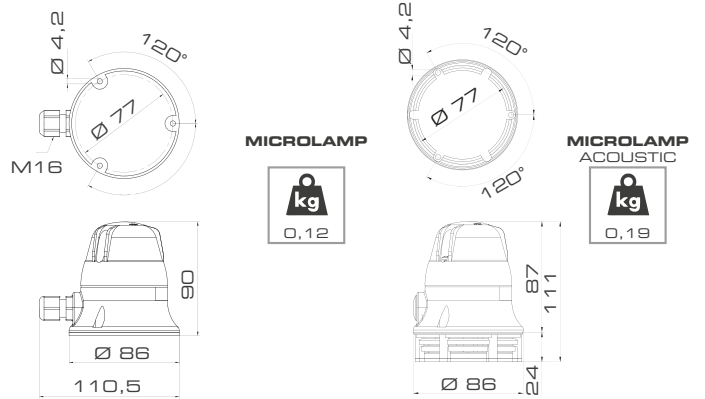


P BASE
(M12 single bolt fixing base)



E BASE
(Edison screw base)

DRAWINGS, DIMENSIONS AND WEIGHTS



MICROLAMP STEADY* - Steady light with incandescent bulb

	GY	BK	GY	BK	GY	BK	GY	BK	GY	BK	GY	BK
12/240V ACDC	79781	79701	79782	79702	79783	79703	79784	79704	79785	79705	79786	79706

*Supplied without bulb

MICROLAMP STEADY/FLASHING* - Steady/flushing light with incandescent bulb

	GY	BK	GY	BK	GY	BK	GY	BK	GY	BK	GY	BK
12/48V DC	79601	79621	79602	79622	79603	79623	79604	79624	79605	79625	79606	79626
24/240V AC	79611	79631	79612	79632	79613	79633	79614	79634	79615	79635	79616	79636

*Supplied without bulb

ACOUSTIC - Steady/flushing light with incandescent bulb + Acoustics

12 ACDC	79721	78071	79722	78072	79723	78073	79724	78074	79725	78075	79726	78076
24 ACDC	79731	78081	79732	78082	79733	78083	79734	78084	79735	78085	79736	78086
48V ACDC	79741	78091	79742	78092	79743	78093	79744	78094	79745	78095	79746	78096
110V AC	79751	78101	79752	78102	79753	78103	79754	78104	79755	78105	79756	78106
240V AC	79771	78121	79772	78122	79773	78123	79774	78124	79775	78125	79776	78126

*Supplied with bulb

MICROLAMP LED - LED steady/flushing light

	GY	BK	GY	BK	GY	BK	GY	BK	GY	BK	GY	BK
12/24V ACDC	38601	39021	38602	39022	38603	39023	38604	39024	38605	39025	38606	39026
48V ACDC	38611	39031	38612	39032	38613	39033	38614	39034	38615	39035	38616	39036
90/240V AC	38621	39041	38622	39042	38623	39043	38624	39044	38625	39045	38626	39046

ACOUSTIC - LED steady/flushing light + Acoustics

12/24V ACDC	38631	39051	38632	39052	38633	39053	38634	39054	38635	39055	38636	39056
48V ACDC	38641	39061	38642	39062	38643	39063	38644	39064	38645	39065	38646	39066
90/240V AC	38651	39071	38652	39072	38653	39073	38654	39074	38655	39075	38656	39076

MICROLAMP X* - Flashing light with Xenon discharge tube

	GY	BK	GY	BK	GY	BK	GY	BK	GY	BK	GY	BK
12/24V ACDC	64112	91600	64113	91601	64114	91602	64115	91603	64116	91604	64117	91605
110V AC	64118	91612	64119	91613	64120	91614	64128	91615	64121	91616	64129	91617
240V AC	64122	91618	64123	91619	64124	91620	64125	91621	64126	91622	64127	91623

*Supplied with bulb

ACOUSTIC - Flashing light with Xenon discharge tube + Acoustics

12/24V ACDC	91660	78131	91661	78132	91662	78133	91663	78134	91664	78135	91665	78136
110V AC	91672	78141	91673	78142	91674	78143	91675	78144	91676	78145	91677	78146
240V AC	91678	78151	91679	78152	91680	78153	91681	78154	91682	78155	91683	78156

*Supplied with bulb

SPARE DOMES

	71311		71310		71313		71314		71332		71312
--	-------	--	-------	--	-------	--	-------	--	-------	--	-------

ACCESSORIES

	GY	BK
P BASE MICROLAMP	83066	83068
E BASE MICROLAMP	83067	83069