



> **LOW CONSUMPTION** <
> **RESISTANCE TO VIBRATIONS** <



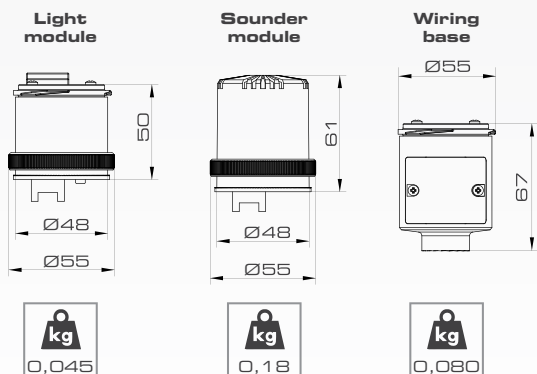
Sounder module



Wiring base



DRAWINGS, DIMENSIONS AND WEIGHTS



miniTWS | PART NO

See page 29, section "miniTWS"

miniTWS

LIGHT MODULE

Integrated LED light module can be set to STEADY or FLASHING via internal jumper. miniTWS offers versatility and excellent optical performance as well as virtually zero maintenance thanks to the built-in LED technology that guarantees up to 100.000* hours of product life.

Available with allCOLOR and allCLEAR lens, miniTWS is the right choice for a compact stacklight module.

SOUNDER MODULE

Sounder module adds acoustic signalization to the luminous part of the stacklight.

WIRING BASE

Wiring base for the miniTWS range. With 1 common + 5 independent contacts, allows mounting of maximum 5 light modules or 4 light modules + 1 sounder module.

Provided with top cap to be used when the sounder module is not installed.

* At normal conditions, without vibrations and heavy temperature changes

KEY CHARACTERISTICS

LIGHT EFFECTS

STEADY, FLASHING

ACOUSTIC

BITONAL SOUND, 77dB

VOLTAGES

24V ACDC, 110V AC, 240V AC +/-10%

PROTECTION GRADE

IP66, UL TYPE 4X, suitable for outdoor applications

OPERATING TEMPERATURE

-30/+50 C°

MECHANICAL FEATURES

Self extinguishing PC body with high impact resistance, suitable for outdoor use thanks to the IP66/TYPER 4X protection grade guaranteed by a double polyurethane gasket installed on every module

OPTICAL FEATURES

The vertically lined lens allows a perfect light distribution over 360°. Available with 2 different lens types, according to the final application

allCOLOR

STANDARD USE

Colored lens with colored light source. The use of a colored lens with the same color of light source allows optimization of the emission frequency producing a rich intense light output

allCLEAR

USE IN VERY BRIGHT ENVIRONMENTS

Clear lens with colored light source. In very bright environments it is possible that the ambient brightness lights up the module when it is switched OFF creating problems in distinguishing between the ON and OFF state of the stacklight (phantom effect). The clear lens module allows clear distinction between the ON and OFF status of the stacklight



ACOUSTIC FEATURES

Magnetodynamic module with bitonal sound with frequency of 800/1000Hz and 77dB output

CERTIFICATIONS

